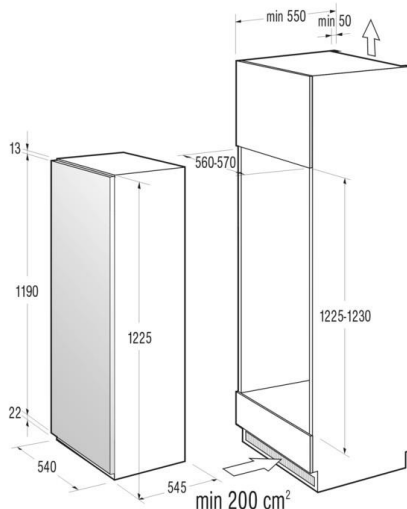


Gorenje Built In Larder Fridge RI4121AW-393918

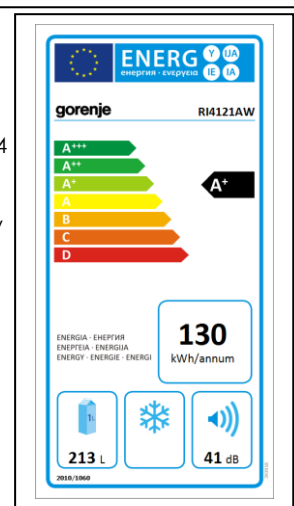


- Control 1
- Control type Mechanic control
- Illuminated interior of refrigerator compartment
Interior light by side
- Plinth 4 fixed feet
- Door hinge Sliding door hinge
- Decorative cover Without decor panel
- Removable glass shelf(s) 5 glass shelves
- Vegetables drawer Large crisper pan for vegetables and fruit
- Bottle shelf with trap Door bottle shelf
- Dairy shelf Yes
- Egg bin 2x6
- **Colour White**
- 5 Years Guarantee on Motor
- 3 Years Parts and Labour

A+ Class

Features

- | | |
|--|---|
| ▪ Product category Refrigerator | ▪ Defrost process fridge section Automatic |
| ▪ Product type One door | ▪ Door hinge Right reversible |
| ▪ Built-in / Free-standing Integrated | ▪ Reversible door hinge Yes |
| ▪ Color / Material body White / Steel | ▪ Cover door installation system Slide-in mounting |
| ▪ Color / Material door White / Steel | ▪ Number of Adjustable Shelves in fridge compartment 4 |
| ▪ Door panel options Not possible | ▪ Material of the shelves Glass |
| ▪ Connection Rating (W) 65 W | ▪ Thermometer freezer section None |
| ▪ Current (A) 13 A | ▪ Interior colour BK031; tinted bright grey-green, glossy |
| ▪ Voltage (V) 230 V | |
| ▪ Frequency (Hz) 50 Hz | |
| ▪ Marks of conformity CE | |
| ▪ Number of compressors 1 | |
| ▪ Length of electrical supply cord (cm) 190,0 cm | |
| ▪ Plug type GB | |
| ▪ Total unit gross capacity (l) 214 l | |
| ▪ Total unit net capacity (l) 213 l | |
| ▪ Refrigerator Gross capacity (l) 214 l | |



Energy / Performance

- Energy Efficiency Class A+
- Energy consumption (kWh) 0,373 kWh/24 h
- Total annual energy consumption (kWh) 136 kWh
- Refrigerator Net capacity (l) 213 l
- Storage Period in Event of Power Failure (h) /
- Climate class SN,N,ST
- Noise level (dB(A) re 1 pW) 41 dB(A) re 1 pW