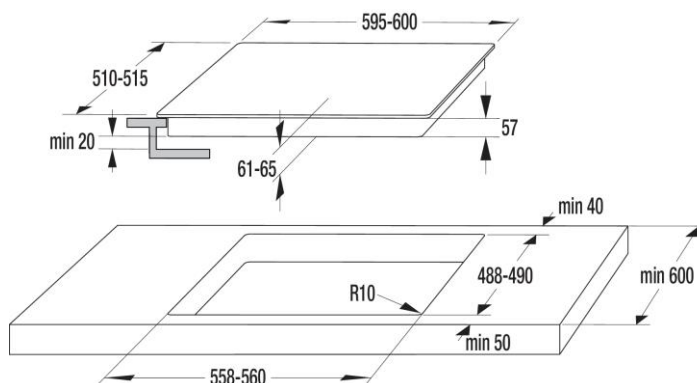


Gorenje Built In Electric Ceramic Hob IT60w - 373515

Induction Hob
Touch Control



Features

- ChildLock The ChildLock function allows locking the cooking hob controls. The lock protects the children from accidental activation and operation of the hob, and the hob from tampering.
- Timer function When preparing a dish, which you know from experience takes a certain amount of time to complete, you can set the timer for up to 99 minutes. When the cooking is concluded, the hob switches off automatically and activates an audio signal.
- Residual heat indicator Yes
- PowerBoost function The function heats the hob fast and shortens waiting time.
- Type of control Touch control
- Product Induction hob
- SmartControl Yes
- Hob frame edges Soft cut hob edge
- AllBoost Yes
- Silent operation SuperSilent Yes

Location of control panel	Top	
Basic external material of hob surface	Glass	Ceramic
Hob color	White	
Hob frame material	Without frame	
Hob edges	/ Bevelled edges	
Electrical connection rating (W)	7100 W	
Gas connection rating (W)	/	
Current (A)	/	
Voltage (V)	220-240 V	
Frequency (Hz)	50/60 Hz	
Marks of conformity	CE, VDEGS, EAC, UA094A, UA011A	
Plug type	Without plug and supply cord	
Width of the product (mm)	600 mm	
Height of the product (mm)	61 mm	
Depth of the product (mm)	510 mm	
Width of the packed product (mm)	715 mm	
Height of the packed product (mm)	145 mm	
Depth of the packed product (mm)	620 mm	
Min height of installation niche (mm)	77 mm	
Max height of installation niche (mm)	/	
Min width of installation niche (mm)	558 mm	
Max width of installation niche (mm)	560 mm	
Depth of installation niche (mm)	490 mm	
Net weight (kg)	10,0 kg	
Gross weight (kg)	10,5 kg	

Energy / Performance

- Electrical connection rating (W) 7100 W
- Voltage (V) 230 V
- Frequency (Hz) 50 Hz