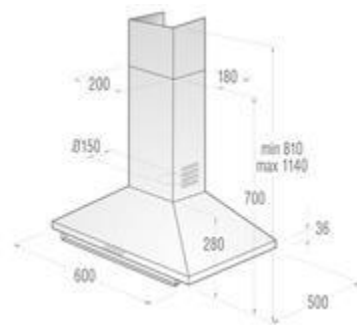


Gorenje Hood DK63CLB-415127



Features

- Sound protection **Standard sound protection**
- Power input/speed III **69 W max**
- Air flow by extraction version, step 1 **183 m³/h**
- Air flow by extraction version, step 2 **247 m³/h**
- Air flow by extraction version, step 3 **372 m³/h**
- Maximum extraction rate by extraction operation **770 m³/h**
- Free air flow by extraction version **471 m³/h**

Basic Information

- Typology **Wall freestanding**
- Motor location **Motor integrated in the hood** Operating mode **Convertible**
- Connection Rating (W) **290 W**
- Current (A) **10 A**
- Voltage (V)/ Frequency (Hz) **50 Hz**
- Approval certificates **CE, DEMKO**
- Length of electrical supply cord (cm) **150 cm**
- Height of the chimney (mm) **530/860**
- Height of product, without chimney (mm) **280mm**
- Dimensions of the product, width x depth (mm) **600X 500 mm**
- Net weight (kg) **10.4 Kg**
- Gross weight (kg) **12.97 Kg**