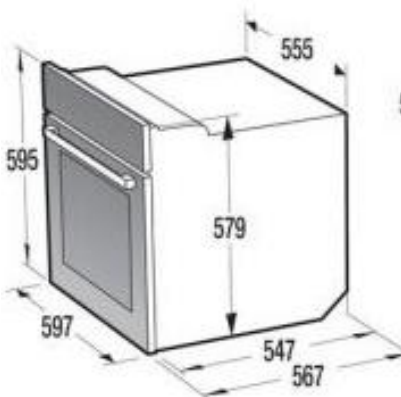


## Gorenje Micro wave **BO737E11X**



Brand:	Gorenje
Model:	BO737E11X
Color:	Stainless Steel
Type:	Electric
Oven Capacity:	71 L
Control Type:	Mechanical
Digital Display:	Yes
Cooking Cavity:	Enamel
Door Release Mechanism:	Handle
Extra Options:	Grill, Timer
Power Consumption:	3300 W
Weight:	29.6 kg
Dimensions (H x W x D):	59.5 x 59.7 x 54.7 cm

### Energy/Performance

**-A Class**

- Energy consumption conventional: 0.92 kWh/cycle
- Energy consumption forced air convection: 0.81 kWh/cycle
- Noise: 47 dB(A) re 1 pW
- Product size: Large